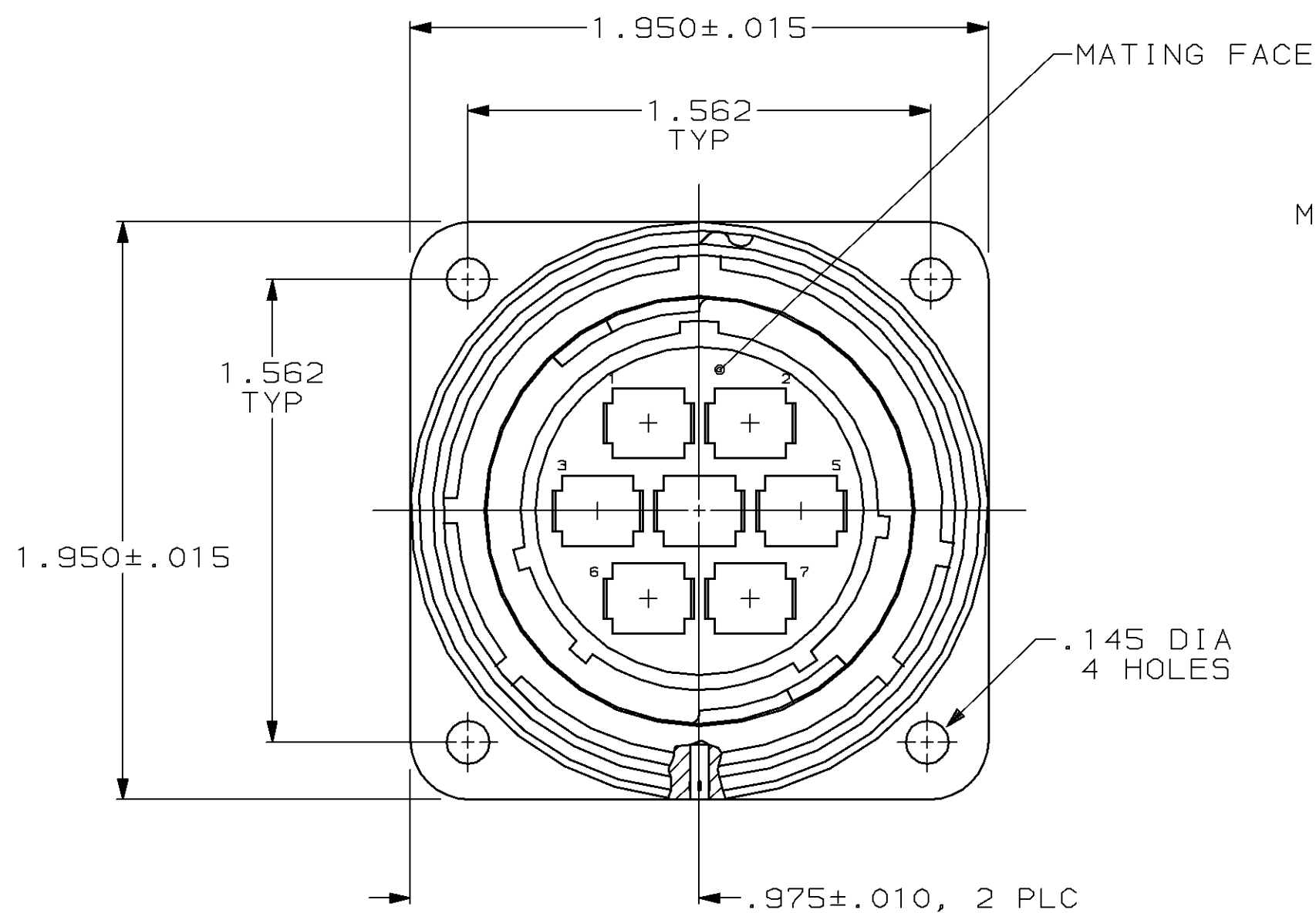


LOC	DIST	P	F	ZONE	LTR	REVISIONS	DATE	APPD
BD	35				K	REDRAWN	6-27-91	-
					L	OBS -2 PER EC 0020-0136-95	17 JUL 95	AF



RECEPTACLE, STD SEX
 ARRANGEMENT 23-7
 MATERIAL: THERMOPLASTIC
 COLOR: BLACK

METAL SHELL RECEPTACLE
 MATERIAL: ZINC ALLOY
 FINISH: NICKEL PLATED PER QQ-N-290

GROOVE PIN, 2 PLC
 MATERIAL: STEEL ALLOY
 FINISH: NICKEL PLATED
 PER QQ-N-290

PERIPHERAL SEAL
 SEE TABLE

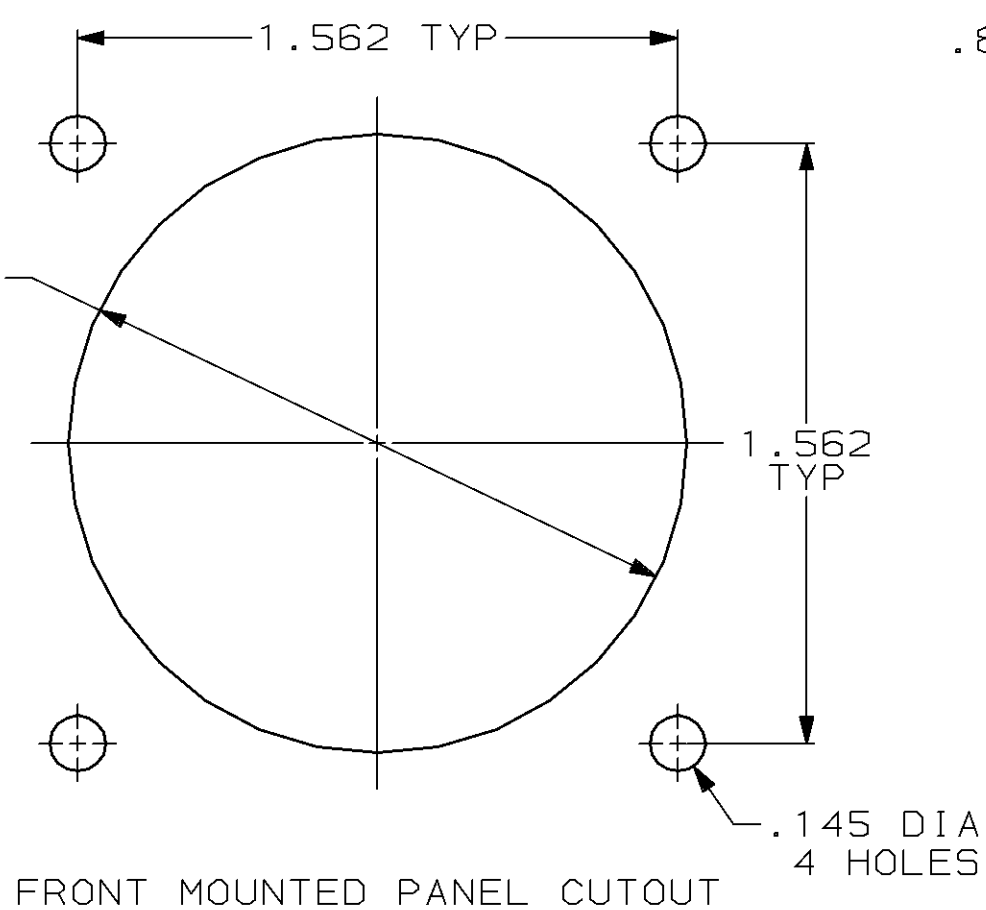
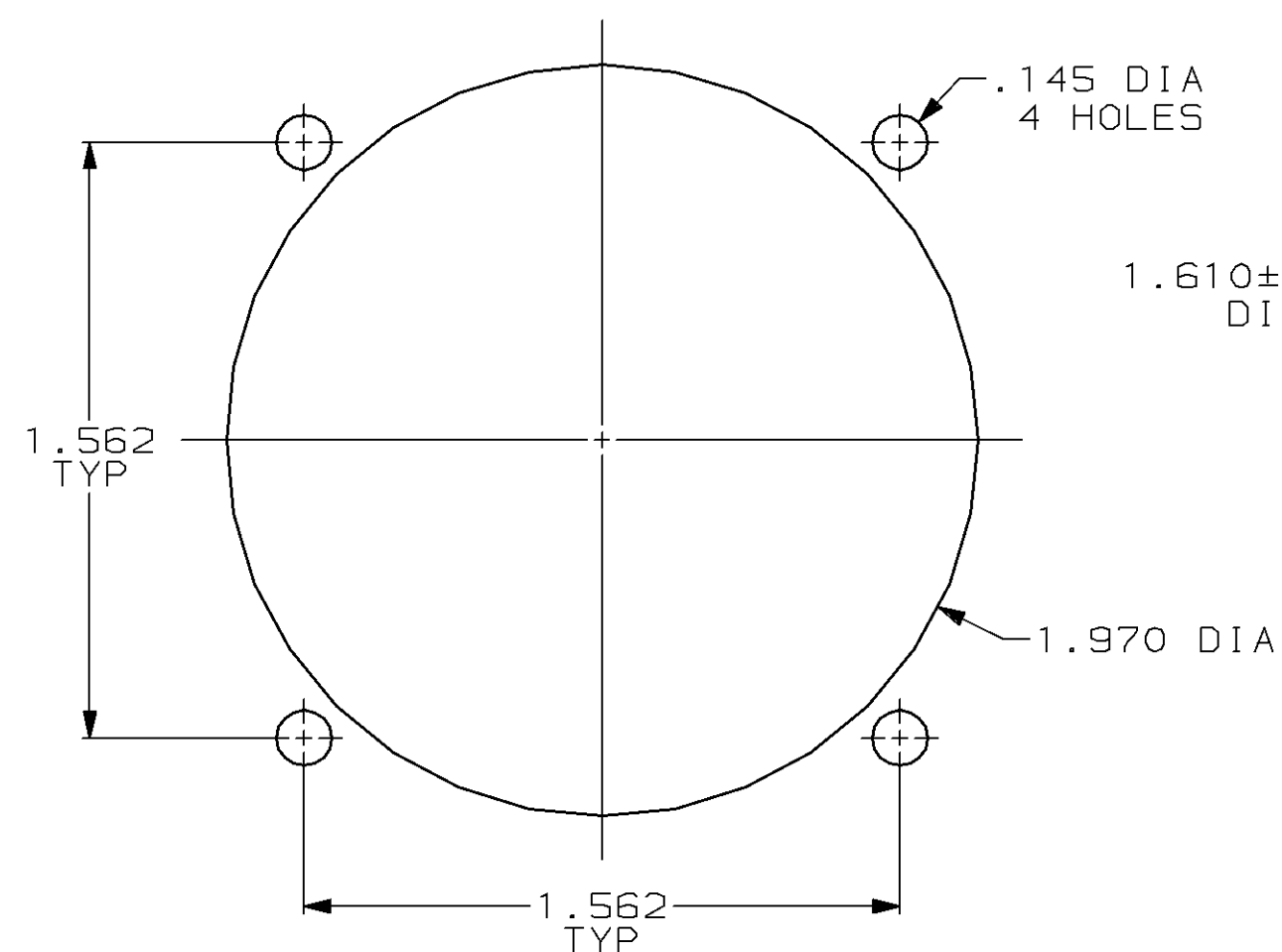
1.900 MAX

.125 MAX
 PANEL THK

.875±.010

.125±.010

1.825 MAX



REAR MOUNTED PANEL CUTOUT

FRONT MOUNTED PANEL CUTOUT

OBSOLETE	YES	208483-2
	NO	208483-1
PERIPHERAL SEAL	PART NUMBER	

- 208483-1 MATES WITH AMP PLUG 208482-1 OR -3. 208483-2 MATES WITH 208482-1 ONLY.
- AMP PART NUMBER AND DATE CODE TO BE LOCATED ON EDGE OF FLANGE.

DO NOT SCALE PRINT. UNLESS SPECIFIED DIMENSIONS IN INCHES TOLERANCES ON :	DR 6-27-91 R.LEE BG	AMP Incorporated Harrisburg, PA 17105-3608
	CHK 4-15-92 W.G.LENKER	
MATERIAL	APPD 4-15-92 K.BEAVER	NAME RECEPTACLE ASSEMBLY, STD SEX, SERIES 3, 28-7, CMC
	APPD 4-15-92 C.ROHDE	
SEE CALLOUT	PRODUCT SPEC 108-10040	SIZE C
FINISH	APPLICATION SPEC -	CAGE CODE 00779
SEE CALLOUT	WEIGHT -	DRAWING NO 208483
		SCALE 2:1
		SHEET 1 OF 1